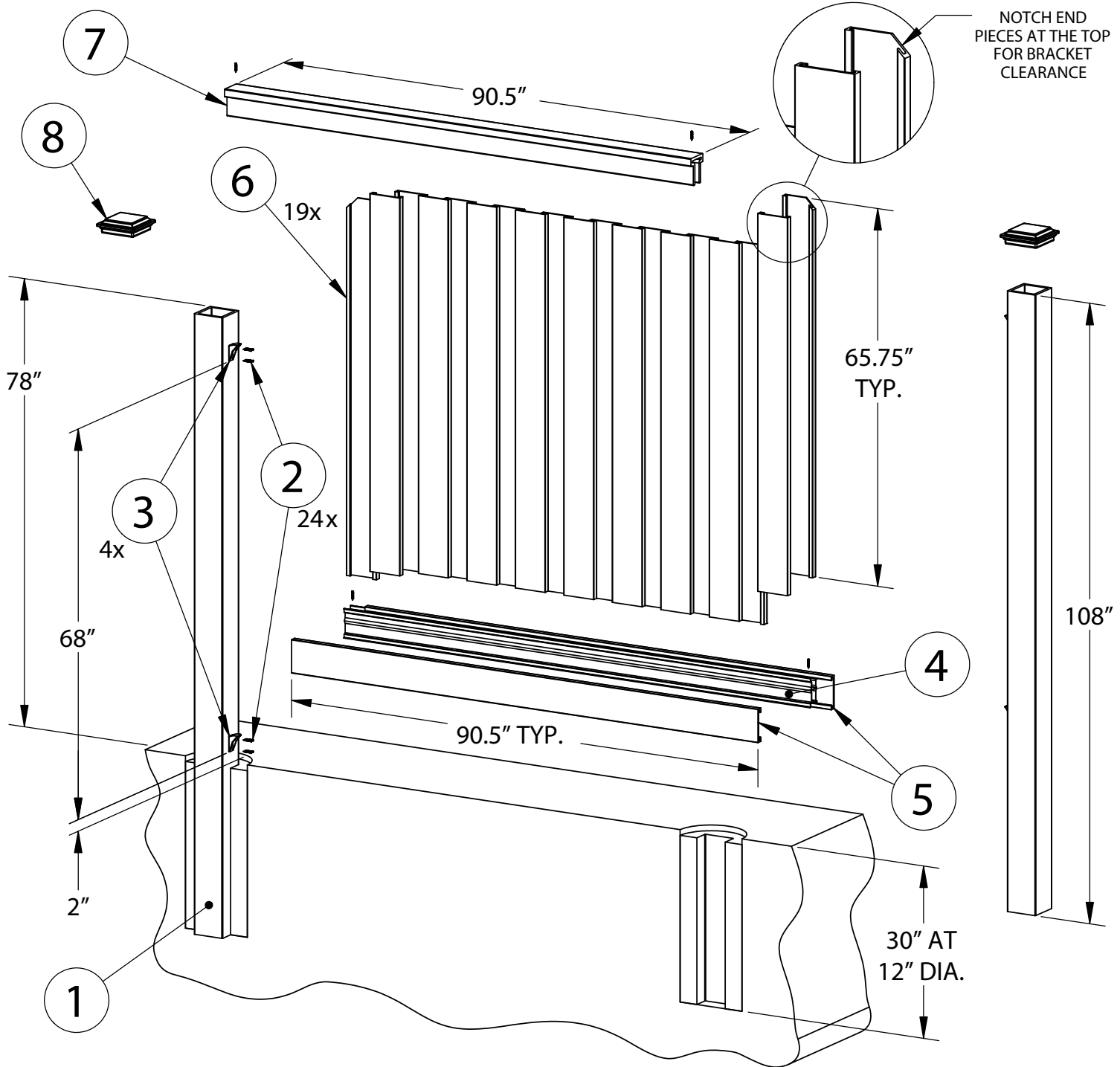


A

B

REVISION HISTORY

CDCO NUMBER	REV	DESCRIPTION	DRAWN	APPR	DATE
CDCO-					
CDCO-					



<p>THIS DRAWING IS THE PROPERTY OF THE TREX COMPANY, INC. AND MUST BE SURRENDERED UPON REQUEST. THE INFORMATION CONTAINED IN THIS DRAWING MAY NOT BE REPRODUCED WITHOUT WRITTEN PERMISSION FROM THE TREX COMPANY, INC. ANY HARD COPY OF THIS DRAWING MAY NOT BE CURRENT. VERIFY REVISION STATUS OF ELECTRONIC DOCUMENT BEFORE USING.</p>		TITLE		<p>Trex Company, Inc.</p> <p>160 Exeter Drive Winchester, Virginia</p>	
		<p>UNLESS OTHERWISE SPECIFIED: DIMENSIONS ARE IN INCHES TOLERANCES</p> <p>DECIMALS ANGULAR .XX ± .01 ± 0.5° .XXX ± .005 DO NOT SCALE DRAWING</p>			
		DRAWN	DATE	SIZE	DWG. NO.
CHECKED	DATE	SCALE	SHEET		OF
DESIGN APPROVAL	DATE				

A

B

REVISION HISTORY

CDCO NUMBER	REV	DESCRIPTION	DRAWN	APPR	DATE
CDCO-					
CDCO-					

BILL OF MATERIALS FOR AN 8' SECTION OF TREX FENCING

ITEM NO.	DESCRIPTION	LENGTH	QTY.
1	FENCE POST	108"	1
2	SCREW	N/A	24
3	RAIL BRACKET	N/A	4
4	ALUMINUM BOTTOM RAIL	90.5"	1
5	BOTTOM RAIL COVER	90.5"	2
6	INTERLOCKING PICKET	65.75"	19
7	TOP RAIL	90.5"	1
8	(FLAT OR PYRAMID) POST CAP	N/A	1

THIS DRAWING IS THE PROPERTY OF THE TREX COMPANY, INC. AND MUST BE SURRENDERED UPON REQUEST. THE INFORMATION CONTAINED IN THIS DRAWING MAY NOT BE REPRODUCED WITHOUT WRITTEN PERMISSION FROM THE TREX COMPANY, INC. ANY HARD COPY OF THIS DRAWING MAY NOT BE CURRENT. VERIFY REVISION STATUS OF ELECTRONIC DOCUMENT BEFORE USING.

TITLE

UNLESS OTHERWISE SPECIFIED:
DIMENSIONS ARE IN INCHES
TOLERANCES
DECIMALS ANGULAR
.XX ± .01 ± 0.5"
.XXX ± .005
DO NOT SCALE DRAWING

Trex Company, Inc.

160 Exeter Drive
Winchester, Virginia

DRAWN	DATE	SIZE	DWG. NO.	REV
CHECKED	DATE	SCALE	SHEET	OF
DESIGN APPROVAL	DATE			