

# Trex Seclusions® Composite Fence Profiles

## Post

Length 108" / 144"  
 Inner Dimensions 3.75" varies  
 Outer Dimensions 4.875 to 5"

## Top Rail

Length 91"  
 Thickness 1/2"  
 Inner Depth 4 1/2"  
 Top Width 4"

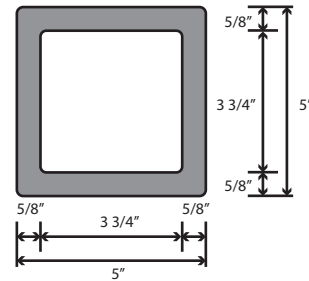
## Bottom Rail Cover / Picket

Length 91" / 67" ±1/4"  
 Height / Width 5 3/4"  
 Interlock 1/2"

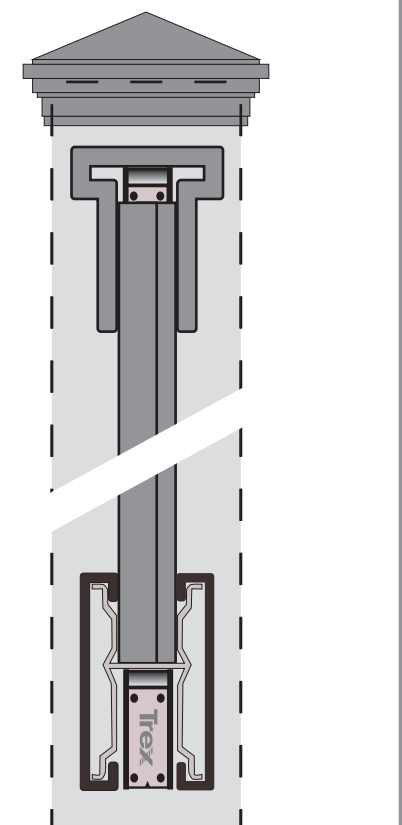
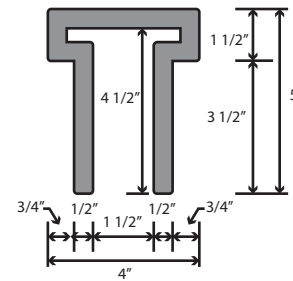
## Aluminum Bottom Rail

Gauge 11 ga.  
 Length 90.5"  
 Height 5 1/8"  
 Depth (Top Channel) 2 3/32"  
 Depth (Bottom Channel) 2 15/32"

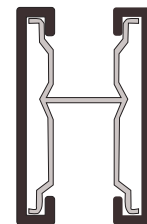
Post



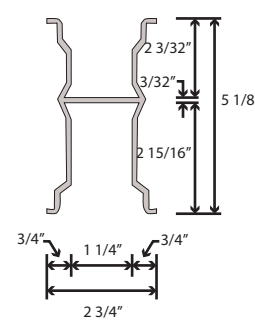
Top Rail



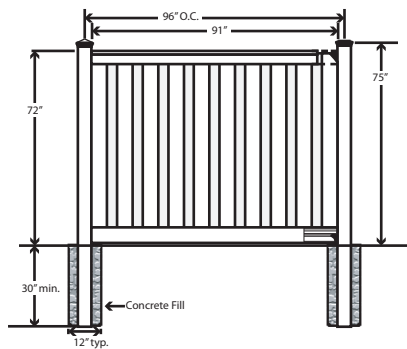
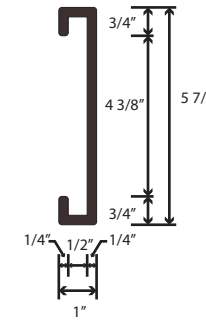
Bottom Rail Assembly



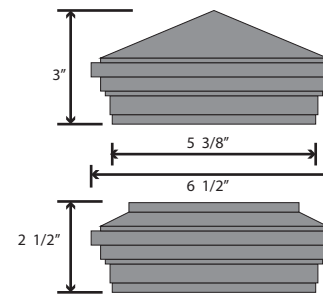
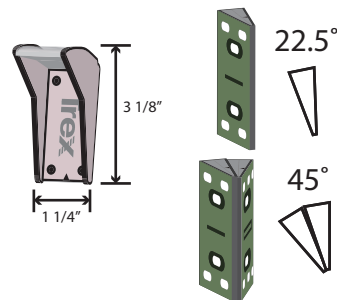
Aluminum Bottom Rail



Bottom Rail Cover / Picket



Rail Bracket Angle Adapter



Bottom rail (side view)

